

SR-E1/M1/E2/M2

V1.1

Installation HW 1.0

A. Package Content

Reader x 1, Installation manual x 1
Accessory kit x 1 (Anchor x 2, Fastening screw x 2)

B. Installation

1. Open rear panel of reader
2. Fasten the rear panel with screws on the wall
3. Thread the cables over the hole on rear panel
4. Assemble reader

● Specification

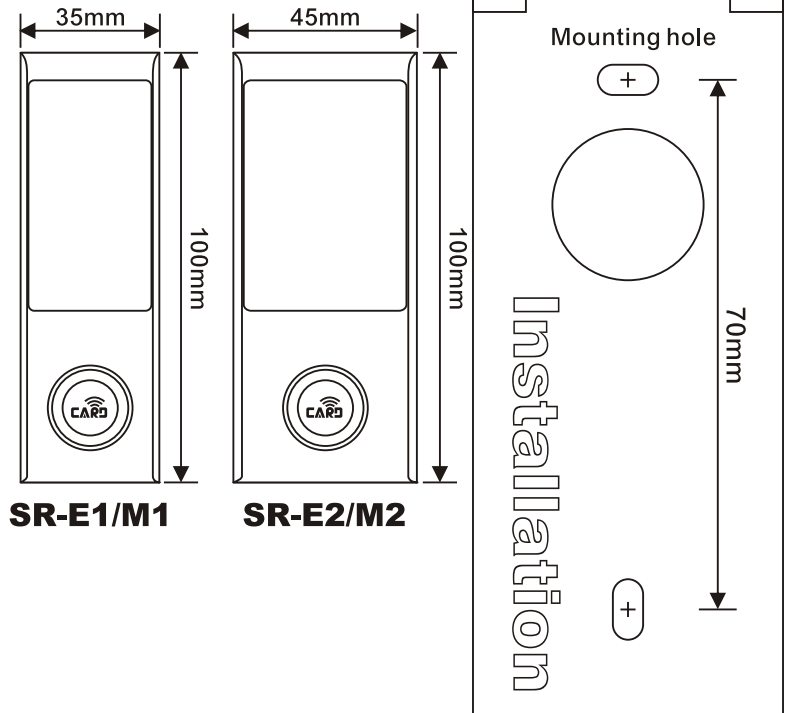
Voltage Range: 9~24V DC
Max current: 200mA
485 Max. distance: 1000M

● Recommend

Shielded cable & linear DC power supply

● Notice

DO NOT apply except power cable to power.
DO NOT apply unqualified power unit to reader
to prevent readers from unstable or damage.

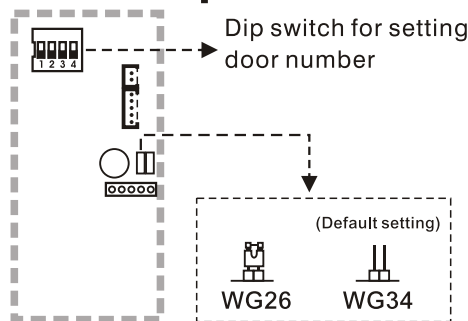


C. SR wiring definition

● WR-E1/M1/E2/M2 Cable color

1	RED	VIN +	9~24V DC
2	BLACK	VIN -	
3	BLUE	LED CONTROL CONTACT	
4	YELLOW	BUZZER CONTROL CONTACT	
5	BLACK	GND	
6	WHITE	485 +	
7	GREEN	485 -	

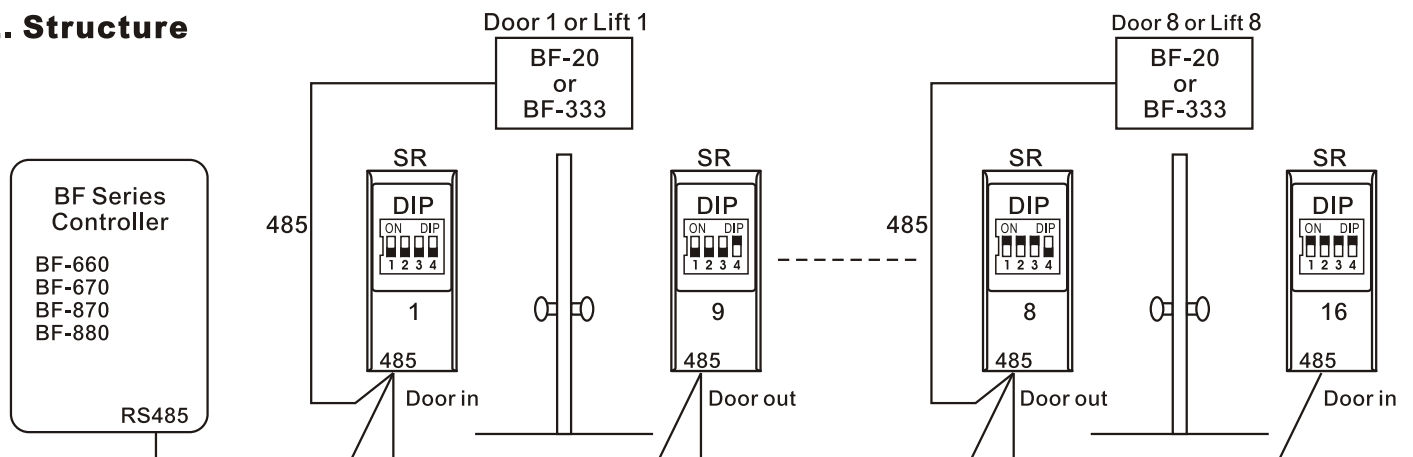
D. Rear panel setting description



E. Front panel LED status

BLUE	Blink every 7 seconds:RS 485 connected LED is not blink:RS 485 disconnected
GREEN	Blink once:Card scanned
RED	Unregistry card

E. Structure



● Door number dip switch

